

# シリンジダイレクト型 超微量容積計量型ディスペンサー

SOSEY PEN DISPENSER

# SPD Series

## 超微量計量小型

MODEL SPD-3/5/10/30

Using a precision linear actuator to achieve ultra-micro dispensing that is unaffected by head pressure differences or viscosity changes!

Precise control through the linear actuator allows for direct dispensing from the syringe.



Equipped with a touch panel controller for intuitive and easy operation — ready to use immediately after powering on!



Extremely lightweight and compatible with desktop robotic arms.  
※ Robotic arm sold separately.

### Applications

Suitable for applications such as chip bonding, circuit formation on displays and circuit boards, adhesion of lenses and LED chips, as well as bonding in medical devices and equipment.

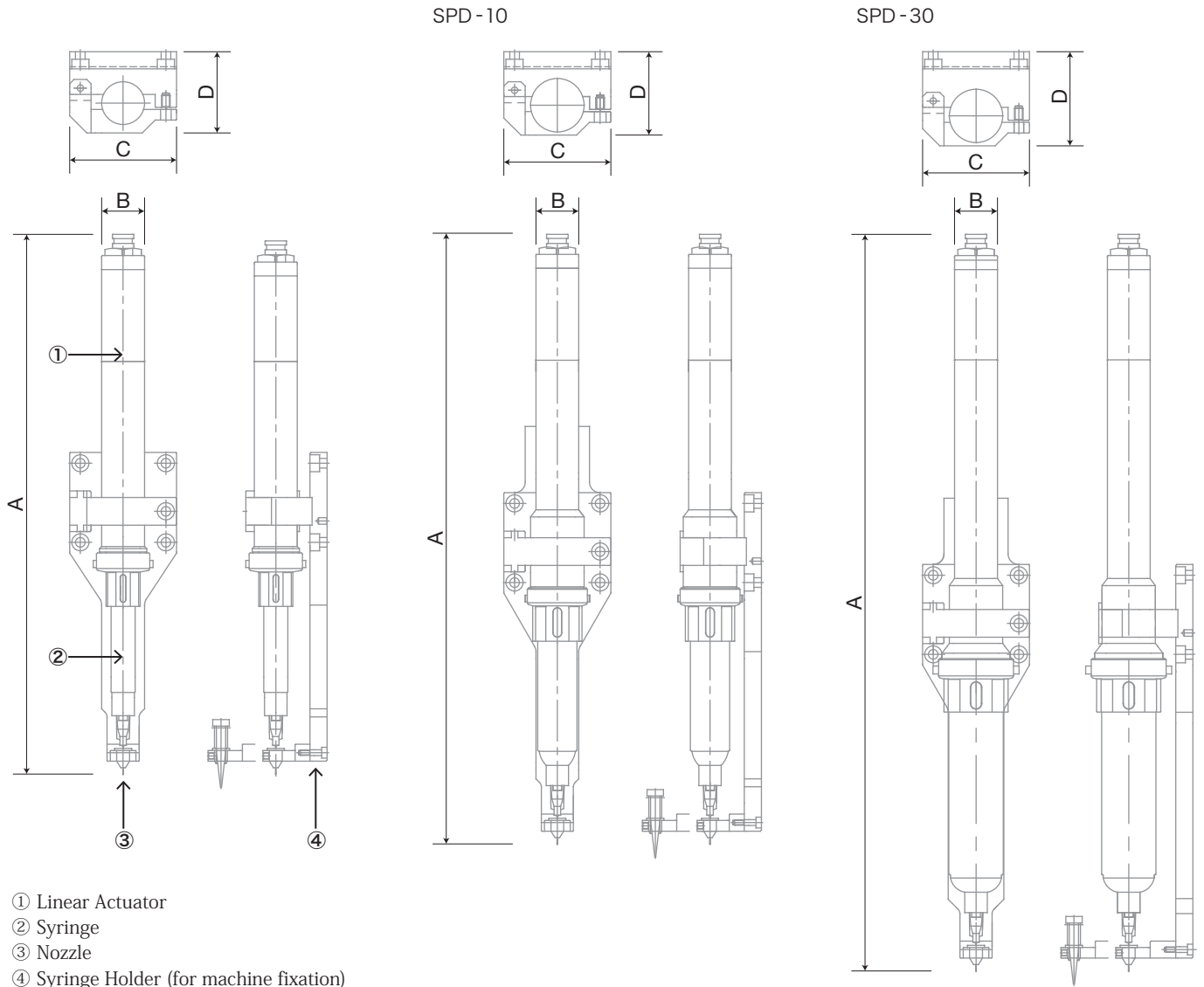


液体自動制御のパイオニア  
日本ソセー工業株式会社

国内拠点  
■ 本社工場 | 営業部 ■ 営業本部(東日本エリア) ■ 中日本エリア ■ 西日本エリア  
海外拠点  
■ SOSEY TAIWAN ■ SOSEY CHINA ■ SOSEY KOREA



## ■ Dimensions / Part Name (Unit:mm) SPD-3/5



- ① Linear Actuator
- ② Syringe
- ③ Nozzle
- ④ Syringe Holder (for machine fixation)

### ■ Main Unit Spec ※This value is the theoretical design value and does not guarantee the performance of the machine.

Model	SPD - 3	SPD - 5	SPD - 10	SPD - 30
Dedicated Syringe	3cc	5cc	10cc	30cc
Material Viscosity	1~150,000mPa·s			
Theoretical Dispensing Volume	0.0036mm <sup>3</sup> (μℓ)	0.0127mm <sup>3</sup> (μℓ)	0.0249mm <sup>3</sup> (μℓ)	0.1376mm <sup>3</sup> (μℓ)
Weight	132g	132g	170g	228g
A (mm)	253		285	345
B (mm)	20		20	20
C (mm)	50		50	50
D (mm)	38		38	50

### ■ Controller Spec

Controller External Dimensions	150(W)×80(H)×100(D) (mm)
Power	AC100~240V、50/60Hz 1.5A
Weight	932g
Touch Screen	3.5 inch
Dispensing Mode	Timed dispensing / Continuous dispensing / Automatic cyclic dispensing / Sequential (programmed) dispensing

- ※ The model specifications and appearance are subject to change without prior notice.
- ※ The product is not explosion-proof or waterproof.
- ※ Apart from the above specifications, all other specifications are custom (optional). For any special requirements, please contact our sales team.

**Sosey Taiwan CO., LTD.**  
 Website : <https://www.osey.com.tw>  
 TEL : 02-26989166 FAX : 02-2698-9165  
 Address : 8F-1, No.79, Sec. 1, Xintai 5th Rd., Xizhi Dist.,  
 New Taipei City 22101, Taiwan (R.O.C.)